



**CEVEDALE  
BASE  
842.020**



**EN**

[WWW.KONG.IT](http://WWW.KONG.IT)



**CERTIFIED BY - CERTIFICATO DA:**  
**NB n° 0123 TÜV SÜD Product Service GmbH**  
Daimlerstraße 11 - 85748 Garching - Germany

Download the declarance of conformity at:  
Scarica la dichiarazione di conformità a :

**[www.kong.it/conformity](http://www.kong.it/conformity)**



Laden Sie die Übersetzung in Ihrer Sprache herunter  
Download the translation in your language  
Bájate la traducción en tu idioma  
Télécharger la traduction dans vostre langue  
Scarica la traduzione nella tua lingua

**KONG s.p.a.**

Via XXV Aprile, 4 - (zona industriale)










I - 23804 MONTE MARENZO (LC) - ITALY

Tel +39 0341630506 - Fax +39 0341641550

**[www.kong.it](http://www.kong.it)**

ZZV05482 rev.1.1.0

# INDEX

|   |                                    |           |
|---|------------------------------------|-----------|
|    | <b>1 - GENERAL INFORMATION</b>     | <b>4</b>  |
|    | <b>2 - WORK AT HEIGHT</b>          | <b>5</b>  |
|    | <b>3 - STORAGE AND MAINTENANCE</b> | <b>6</b>  |
|    | <b>4 - CONTROL AND INSPECTIONS</b> | <b>6</b>  |
|    | <b>5 - DEVICE LIFE</b>             | <b>7</b>  |
|    | <b>6 - LAW OBLIGATIONS</b>         | <b>7</b>  |
|    | <b>7 - GUARANTEE</b>               | <b>7</b>  |
|    | <b>8 - SPECIFIC INFORMATION</b>    | <b>8</b>  |
|  | <b>9 - PRE AND POST USE CHECKS</b> | <b>12</b> |

# 1 GENERAL INFORMATION

**1.1)** The information provided by the manufacturer (hereinafter information) must be read and well understood by the user before using the device.

**1.2)** All our devices are tested / checked piece by piece in accordance to the procedures of the Quality System certified according to the UNI EN ISO 9001 standard.

**1.3)** Personal protective equipment is certified by the notified body reported in the specific instructions of the device in accordance with Annex V of the Regulation (EU) 2016/425. If Category III PPE, they are subject to surveillance of production in accordance with Annex VIII of the Regulation (EU) 2016/425 by the notified body whose accreditation number is marked on the device.

**1.4)** Personal use of the device is recommended to monitor the degree of the device and to maintain it continuously.

**1.5)** Check that the device has been supplied intact, in the original packaging and with its information. For devices sold in different countries from the destination of origin, the distributor shall verify and supply the translation of this information.

**1.6)** This device can be used in combination with other devices when compatible with relevant manufacturer information.

## **1.7) Important**

**1.7.1)** Avoid exposing the device to sources of heat and contact with substances chemical. Reduce direct exposure to the sun, in particular for textile and plastic devices. Low temperatures and humidity can facilitate the formation of ice, make it difficult to make connections, reduce flexibility, as well as increasing the risk of breakage, cutting and abrasion.

**1.7.2)** The position of the anchor is fundamental for arresting a fall safely: carefully assess the clearance under the user, the height of a potential fall, the stretch of the line/rope, the deployment of an eventual energy absorber, the height of the user, and the “pendulum” effect, in order to avoid any possible obstacle (eg the ground, the rubbing, abrasions, etc.).

**1.7.3)** The minimum strength of the anchor points shall be at least 12 kN, both made on natural and artificial elements. The evaluation of those made on natural elements (rock, plants, etc.) are only possible in an empirical way, so it shall be carried out by a trained and experienced person. For those made on elements artificial (metal, concrete, etc.), the evaluation can be carried out scientifically, therefore it shall be carried out by a trained and authorized person.

## **1.8) Warning**

**1.8.1)** Prolonged suspension, especially if inert, can cause damage irreversible and even death.

**1.8.2)** It is absolutely forbidden to modify and / or repair the device, outside than what is prescribed in this information.

**1.8.3)** If the user has the slightest doubt about the efficiency of the device shall replace it immediately, particularly after using it to stop a fall.

**1.8.4)** This device shall only be used by users medically fit, trained (and educated) for use or under direct control of trainers / supervisors.

**1.8.5)** Rock and ice climbing, descents and abseils, the “via ferrata”, speleology and caving, ski-mountaineering, canyoning, exploration, rescue, tree climbing and work at height are all high-risk activities that may involve even fatal accidents. The user assumes all risks arising from the practice of these activities and the use of all our devices.

**1.8.6)** Laboratory tests, checks, inspections, information and standards do not always succeed to reproduce the practice, so the results obtained in real life conditions of

use of the device may sometimes differ significantly. The best indications are provided by the continuous use and practice under the supervision of competent / experienced / qualified persons.

**1.8.7)** This information concerns the description of the features, performances, assembly, disassembly, maintenance, conservation, disinfection, etc. of the device. Even if they contain some suggestions for use, should not be considered an operating manual in real situations (as well as a maintenance manual of a car does not teach driving and does not replace driving school).

## 2 WORK AT HEIGHT

**2.1)** Additional information for individual fall protection systems in the context of work at height.

**2.2)** For safety purposes, in these systems is essential to:

- carry out risk assessment and ensure that the entire system, of which this device is only one part, is both reliable and safe;
- prepare a rescue plan to deal with any emergencies that could arise while using the device;
- position the anchor device or the anchor point as high as possible;
- minimize the height of potential falls;
- use devices that are suitable for the purpose and certified.

**2.3) Important:** in a fall arrest system it is mandatory to use a full body harness being the only device suitable for this use and this device must comply with current regulations.

## 3 STORAGE AND MAINTENANCE

**3.1)** Store the device in a dry place (relative humidity 40-90%), fresh (temperature 5-30 ° C) and dark, chemically neutral (avoid absolutely saline and / or acid environments), away from sharp edges, corrosive substances or other possible prejudicial conditions.

**3.2)** Transport the device considering the precautions foreseen for storage and limit direct exposure to sunlight and moisture.

**3.3)** Maintain the device as follows:

- wash frequently with warm drinking water (30 ° C), possibly with the addition of a neutral detergent;

- rinse and leave to dry, avoiding spinning and direct exposure to the sun;

- only for metal components, lubricate the moving parts with silicone-based oil after drying, avoiding contact with textile parts.

**3.4)** If necessary, disinfect by soaking the device for an hour in warm water with sodium hypochlorite diluted 1% (bleach). Rinse thoroughly with drinking water, and, without spinning, leave to dry without exposure direct to the sun. Avoid autoclaving the textile devices.

## 4 CONTROLS AND INSPECTIONS

**4.1)** User safety depends on continuous efficiency, integrity and strength of the device, which it is necessary to monitor through the controls and the prescribed inspections.

**4.2)** Before and after use the user must carry out all the checks described in specific information, and in particular make sure that the device is:

- in optimal conditions and that works properly;

- suitable for use in accordance with these instructions (any other use is considered non-compliant and therefore potentially dangerous).

**4.3)** Except for more restrictive legal requirements, inspections of Category III devices shall be carried out:

- at least every 12 months starting from the first use;

- the time interval between inspections can be reduced according to the type, the frequency and the environment of use;

- by a competent person (therefore formed and authorized by the manufacturer, eg a "KONG PPE Inspector") in strict compliance with the manufacturer's instructions.

**4.4)** The results of periodic inspections must be recorded on the form inspection of the device or on a designated register.

## 5 DEVICE LIFE

**5.1)** The lifespan of the metal components is indefinable, theoretically unlimited, while those affected by aging report the expiration date over which the device shall be replaced. This provided that:

- the device was not used to stop a fall;
- the methods of use comply with the information in this information;
- storage and maintenance are carried out as described in point 3;
- the results of pre-use and post-use controls are positive;
- the results of periodic inspections are positive;
- the device is used correctly not exceeding the marked load of:
  - 1/4 for metal devices;
  - 1/10 for textile devices.

**5.2)** Discard the devices used to stop a fall or which have not passed pre-use or post-use controls, or periodic inspections.

**5.3)** Improper use, deformations, falls, wear, chemical contamination, exposure to temperatures below  $-30^{\circ}\text{C}$  or above  $+50^{\circ}\text{C}$  for textile/plastic parts/devices and  $+120^{\circ}\text{C}$  (eg autoclave) for metal devices, are some examples of other causes that can reduce, limit and terminate the life of the device.

## 6 LAW OBLIGATIONS

**6.1)** Professional, recreational and competition activities are often regulated by specific laws or regulations that may impose limits and/or requirements for the use of PPE and the preparation of safety systems, of which PPE are components.

**6.2)** It is duty of the user to know and apply these laws which could provide for limits different from those reported in this information.

## 7 GUARANTEE

**7.1)** The manufacturer guarantees the conformity of the device to the regulations in force at the time of production. The warranty for defects is limited to the defects of raw materials and manufacturing, does not include normal wear and tear, oxidation or damage caused by improper use and/or in competitions (where they are not specifically accepted by the organization of the same), from incorrect maintenance, transport, storage or storage, etc. The warranty expires immediately if the device is modified or tampered with.

**7.2)** The validity corresponds to the legal guarantee of the country in which the device was sold, starting from the date of sale of the new product. After this period no claim can be made against the manufacturer.

**7.3)** Any request for repair or replacement under warranty must be accompanied by a proof of purchase. If the defect is recognized, the manufacturer will commits to repair or, at its discretion, to replace or refund the device. In no case the manufacturer's liability extends beyond the invoice price of the device.

## 8 SPECIFIC INFORMATION

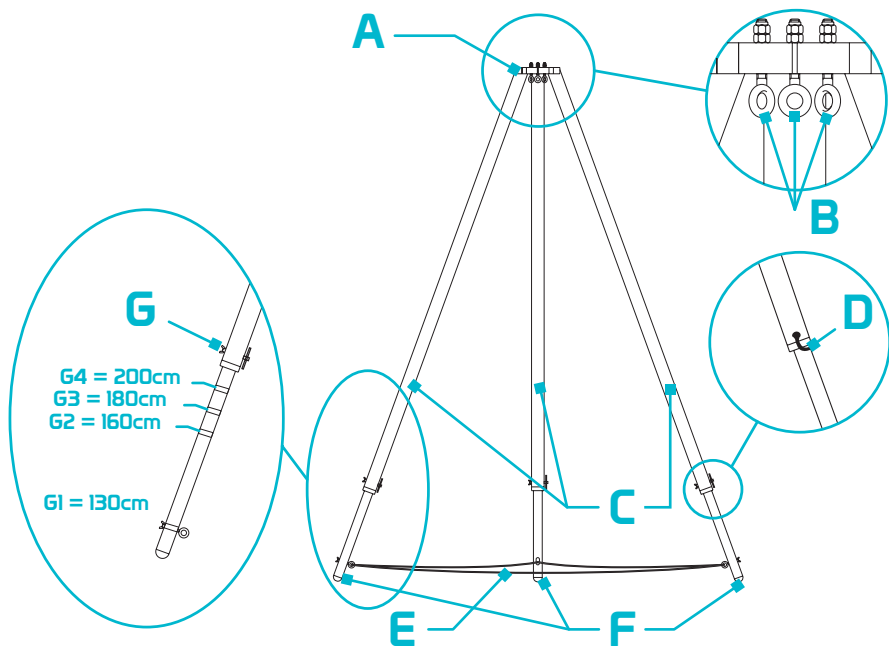
The III Category 842.020 Personal Protection Equipment “CEVEDALE BASE” (Fig. 1) is:

- an anchor device with 3 stationary anchor points that do not require a structural anchor or fastening elements to secure it to the structure, suitable for use simultaneously by 3 people;
- part of a protection system against the impact stemming from falling from heights;
- certified in accordance with the EN 795:2012 type B standard and technical specification GEN/TS 16415:2013.

### Fig. 1 - Terminology of the parts

- A) Top plate in aluminium alloy;
- B) Anchor points in stainless steel;
- C) Aluminium alloy extendible legs;
- D) Connection pin for the legs in galvanised steel;
- E) Legs opening limiter cable in galvanised steel;
- F) Anti-slip rubber support feet;
- G) Height adjustment holes on the external pipe (G) and on the internal pipe (G1-G4).

1

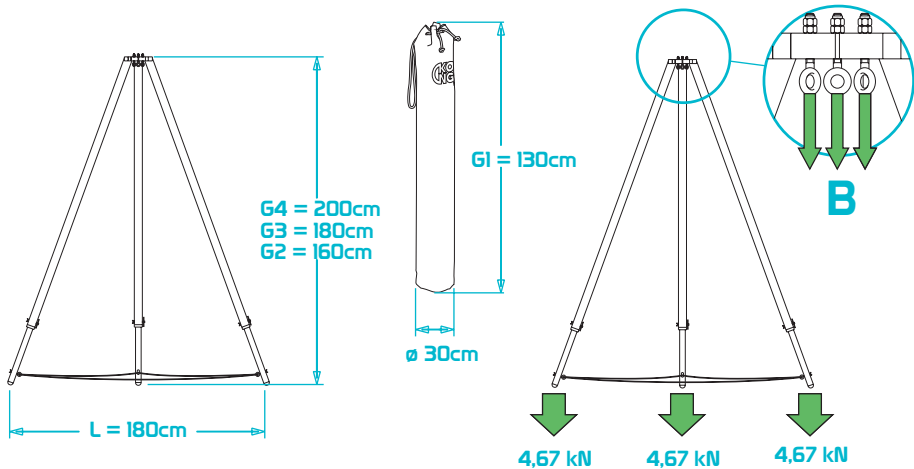




**Fig. 2 – Main technical characteristics**

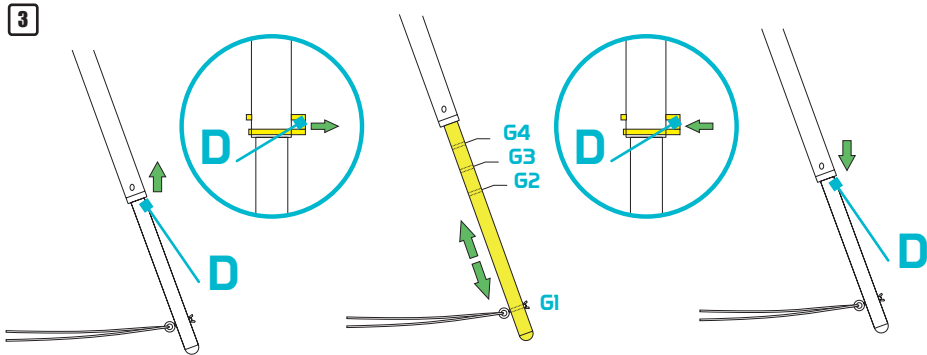
- Maximum load transmitted to the ground: 14 kN (4.67 kN for each leg);
- Maximum applicable load to the individual anchor point (B): 12 kN;
- Maximum applicable load simultaneously to the anchor points (B): 14 kN;
- Weight of the equipment: 16 kg.

2



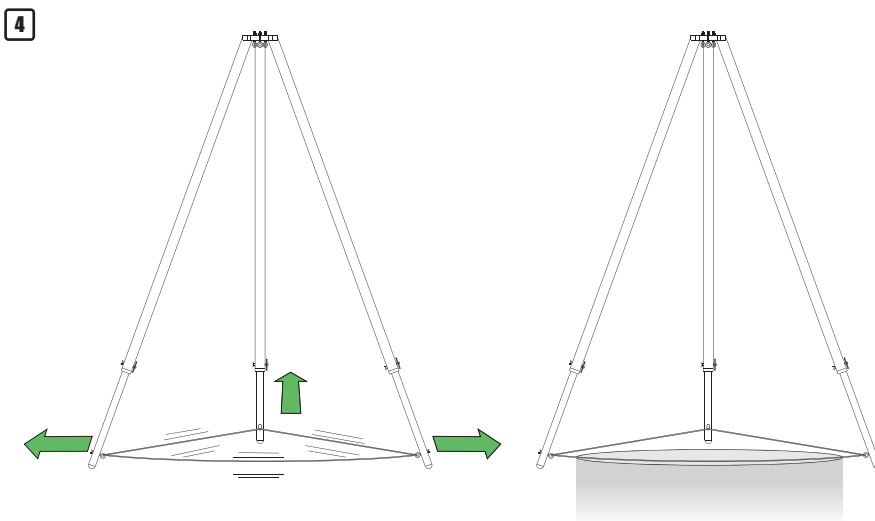
**Fig. 3 – Height adjustment** – For each extendible leg (C):

- rotate and remove the connection pin (D) from the holes (G),
- slide the internal pipe as far as the hole that determines the selected working height,
- align the hole of the internal pipe (G1, G2, G3 or G4) with the one on the external pipe (G),
- insert the connection pin (D) in the holes (G) and turn it, locking it on the internal pipe.



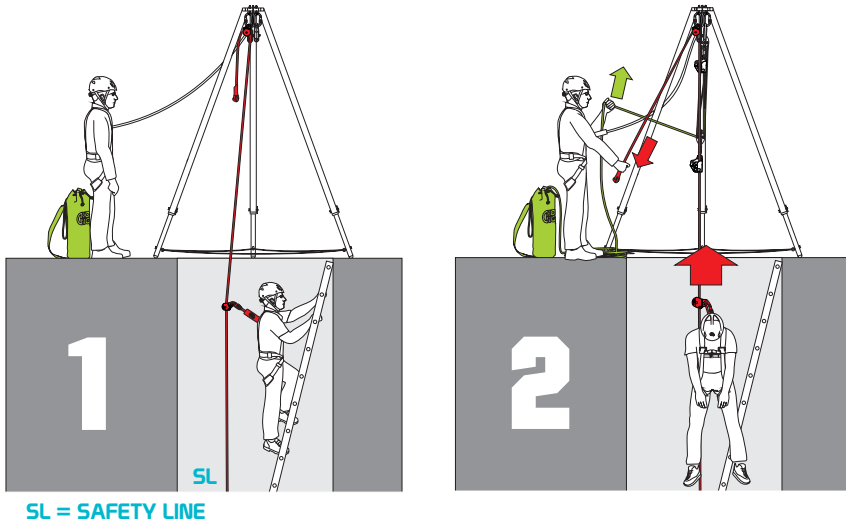
**Fig. 4 – Positioning of the equipment** – After adjusting the height as described in Fig. 3:

- place the tripod in the vertical position and space the legs (C) outward until placing the cable (E) under tension,
- position the tripod so that the top plat is at the centre of the passage (well, manhole).



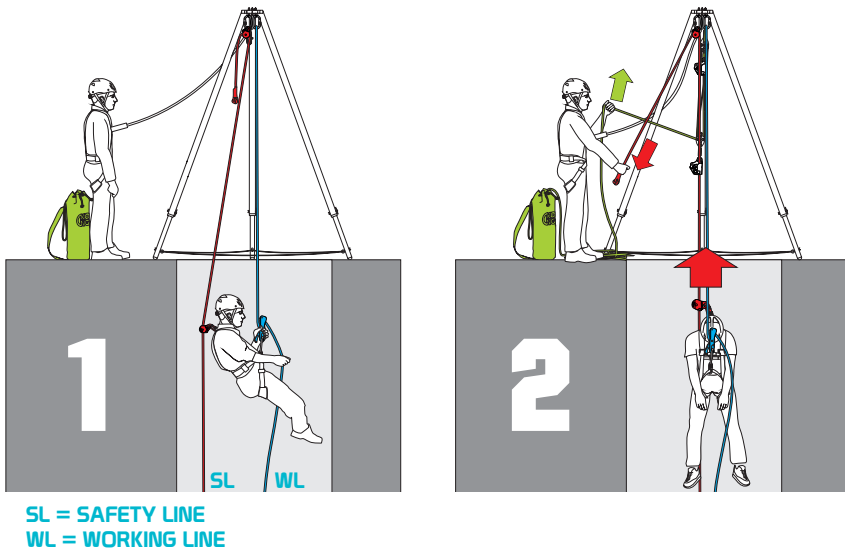
**Fig. 5 – Example of correct use - Access to confined space with ladder and relative evacuation of the operator.**

5



**Fig. 6 – Example of correct use - Access to confined space using work line and relative evacuation of the operator.**

6



**Important:**

- the 3 legs (C) must be adjusted to the same height,
- the adjustments must be carried out on a flat surface,
- the following can be connected to the anchor points (B), even simultaneously:
  - flexible anchor lines,
  - safety lines,
  - work lines,
  - evacuation/emergency lines,
  - restraint devices and/or systems,
  - positioning devices and/or systems,
  - fall arrester devices and/or systems.

**ATTENTION:**

- **this equipment must not be used to arrest falls without a fall prevention and energy dissipation system;**
- **the equipment resting surface must be flat, stable and able to withstand the maximum load transmitted to the ground.**

## 9 PRE AND POST USE CHECKS





Before and after use, ensure that the equipment is in good condition and working correctly. Specifically check that:

- wear is only aesthetic,
- it has not suffered mechanical deformations,
- there are no signs of cracks or traces of corrosion,
- the anchor points (B) and rope passage points are clean,
- the connection pins (D) are inserted correctly in the relative legs (C).

Carry out all the pre and post use checks defined in the specific information of the devices used in combination.

Before use and in a completely safe position, at every occasion, ensure that the devices work properly.

| LLLLLL XXXX - SERIAL NUMBER |                    |
|-----------------------------|--------------------|
| LLLLLL                      | Production lot     |
| XXXX                        | Progressive number |

| MARKING LEGEND   |   |
|--|---|
|               | Conformity to Regulation 2016/425   |
| <b>0068</b>  | Notified body in charge of the production surveillance:<br><b>MTIC InterCert S.r.l.</b><br>Via G.Leopardi, 14 20123 - Milano (MI) - Italy |
| <b>EN 795/B:12</b>   | Conform to EN 795:2012 Type B<br>Anchor device with one or more stationary anchor points without the need for a structural anchor         |
|  <b>MAX 3</b> | Max number of simultaneous users  |
|               | Always read and follow the information supplied by the manufacturer   |
| <br>MM/YYYY  | Month (MM) and year (YYYY) of production  |

### TRIPOD - ANCHOR DEVICE

Riferimento: **842.020**

Modello: **CEVEDALE BASE**

Numero di serie:

Data primo utilizzo:

#### Inspections and servicing

| Date | I/S | Description | Result | Inspector |
|------|-----|-------------|--------|-----------|
|      |     |             |        |           |
|      |     |             |        |           |
|      |     |             |        |           |
|      |     |             |        |           |
|      |     |             |        |           |
|      |     |             |        |           |
|      |     |             |        |           |
|      |     |             |        |           |



**CEVEDALE  
BASE  
842.020**



**IT**

[WWW.KONG.IT](http://WWW.KONG.IT)



**CERTIFIED BY - CERTIFICATO DA:**  
**NB n° 0123 TÜV SÜD Product Service GmbH**  
Daimlerstraße 11 - 85748 Garching - Germany

Download the declarance of conformity at:  
Scarica la dichiarazione di conformità a :

**[www.kong.it/conformity](http://www.kong.it/conformity)**



Laden Sie die Übersetzung in Ihrer Sprache herunter  
Download the translation in your language  
Bájate la traducción en tu idioma  
Télécharger la traduction dans vostre langue  
Scarica la traduzione nella tua lingua

**KONG s.p.a.**

Via XXV Aprile, 4 - (zona industriale)  
I - 23804 MONTE MARENZO (LC) - ITALY  
Tel +39 0341630506 - Fax +39 0341641550

**[www.kong.it](http://www.kong.it)**

ZZV05482 rev.1.1.0



# INDICE

|   |  |           |
|---|--|-----------|
|    | <b>1 - INFORMAZIONI GENERALI</b>           | <b>4</b>  |
|    | <b>2 - LAVORI IN ALTA QUOTA</b>            | <b>5</b>  |
|    | <b>3 - IMMAGAZZINAMENTO E MANUTENZIONE</b> | <b>6</b>  |
|    | <b>4 - CONTROLLI E ISPEZIONI</b>           | <b>6</b>  |
|    | <b>5 - DURATA DEL DISPOSITIVO</b>          | <b>7</b>  |
|    | <b>6 - OBBLIGHI DI LEGGE</b>               | <b>7</b>  |
|    | <b>7 - GARANZIA</b>                        | <b>7</b>  |
|    | <b>8 - INFORMAZIONI SPECIFICHE</b>         | <b>8</b>  |
|  | <b>9 - CONTROLLI PRE E POST USO</b>        | <b>12</b> |

# 1 INFORMAZIONI GENERALI

**1.1)** Le informazioni fornite dal fabbricante (di seguito informazioni) devono essere lette e ben comprese dall'utilizzatore prima dell'impiego del dispositivo.

**1.2)** Tutti i nostri dispositivi sono collaudati/controllati pezzo per pezzo in accordo alle procedure del Sistema Qualità certificato secondo la norma UNI EN ISO 9001.

**1.3)** I dispositivi di protezione individuale sono certificati dall'organismo accreditato riportato nelle istruzioni specifiche del dispositivo in accordo all'annesso V del Regolamento (UE) 2016/425. Se di III Categoria sono sottoposti alla sorveglianza di produzione in accordo all'annesso VIII del Regolamento (UE) 2016/425 da parte dall'ente notificato il cui numero di accreditamento è marcato sul dispositivo.

**1.4)** E' vivamente consigliato l'uso personale del dispositivo per mantenere continuamente monitorati il grado di protezione e di efficienza.

**1.5)** Verificare che il dispositivo sia stato fornito integro, nella confezione originale e con le relative informazioni del fabbricante. Per i dispositivi venduti in Paesi diversi dalla destinazione di origine, il rivenditore ha l'obbligo di verificare e di fornire la traduzione di queste informazioni.

**1.6)** Questo dispositivo può essere utilizzato in abbinamento ad altri dispositivi quando compatibili con le informazioni rilevanti del fabbricante.

## **1.7) Importante**

**1.7.1)** Evitare l'esposizione del dispositivo a fonti di calore e al contatto con sostanze chimiche. Ridurre al minimo l'esposizione diretta al sole, in particolare per i dispositivi tessili e plastici. Temperature basse e presenza di umidità possono facilitare la formazione di ghiaccio, rendere difficile effettuare collegamenti, ridurre la flessibilità, nonché aumentare il rischio di rottura, taglio e abrasione.

**1.7.2)** La posizione dell'ancoraggio è fondamentale per la sicurezza dell'arresto della caduta: valutare attentamente l'altezza libera presente sotto l'utilizzatore, l'altezza di una potenziale caduta, l'allungamento della corda/fune, l'allungamento di un eventuale assorbitore/dissipatore di energia, la statura dell'utilizzatore e l'effetto "pendolo" in modo da evitare ogni possibile ostacolo (es. il terreno, lo sfregamento, le abrasioni, ecc.).

**1.7.3)** La resistenza minima dei punti di ancoraggio deve essere di almeno 12 kN, sia realizzati su elementi naturali che artificiali. La valutazione di quelli realizzati su elementi naturali (roccia, vegetali, ecc.) è possibile solo in modo empirico, per cui deve essere effettuata da persona formata ed esperta. Per quelli realizzati su elementi artificiali (metallo, calcestruzzo, ecc.), la valutazione è possibile effettuarla scientificamente, pertanto deve essere svolta da persona formata ed autorizzata.

## **1.8) Attenzione**

**1.8.1)** La sospensione prolungata, soprattutto se inerte, può provocare danni irreversibili e anche la morte.

**1.8.2)** È assolutamente vietato modificare e/o riparare il dispositivo al di fuori di quanto prescritto in queste informazioni.

**1.8.3)** Se l'utilizzatore ha il minimo dubbio sull'efficienza del dispositivo lo deve sostituire immediatamente, in particolare dopo averlo utilizzato per arrestare una caduta.

**1.8.4)** Questo dispositivo deve essere utilizzato solo da persone fisicamente idonee, formate (informate e addestrate) all'uso o sottoposte al controllo diretto di formatori/supervisor.

**1.8.5)** L'arrampicata su roccia e ghiaccio, le discese, la via ferrata, la speleologia, lo sci-alpinismo, il torrentismo, l'esplorazione, il soccorso, l'arborismo e i lavori in quota sono tutte attività ad alto rischio che possono comportare incidenti anche mortali.

L'utilizzatore si assume tutti i rischi derivanti dalla pratica di tali attività e dall'uso di ogni nostro dispositivo.

1.8.6) I test di laboratorio, i collaudi, le informazioni e le norme non sempre riescono a riprodurre la pratica, per cui i risultati ottenuti nelle reali condizioni d'utilizzo del dispositivo possono differire in maniera talvolta anche rilevante. Le migliori indicazioni sono fornite dalla continua pratica d'uso sotto la supervisione di persone competenti/esperte/qualificate.

1.8.7) Queste informazioni riguardano la descrizione delle caratteristiche, delle prestazioni, del montaggio, dello smontaggio, della manutenzione, della conservazione, della disinfezione, ecc. del dispositivo. Anche se contengono alcuni suggerimenti di impiego, non devono essere considerate un manuale d'uso nelle situazioni reali (così come un libretto d'uso e manutenzione di un'autovettura non insegna a guidare e non si sostituisce ad una scuola guida).

## 2 LAVORI IN ALTA QUOTA

2.1) Informazioni aggiuntive per i sistemi individuali di protezione contro le cadute dall'alto nell'ambito dei lavori in quota.

2.2) Ai fini della sicurezza in questi sistemi è essenziale:

- effettuare la valutazione dei rischi ed accertarsi che l'intero sistema, di cui questo dispositivo è solo un componente, sia affidabile e sicuro;
- predisporre un piano di soccorso per far fronte ad eventuali emergenze che potrebbero insorgere durante l'utilizzo del dispositivo;
- è essenziale posizionare il più in alto possibile il dispositivo di ancoraggio o il punto di ancoraggio;
- minimizzare l'altezza di potenziali cadute;
- utilizzare dispositivi adatti allo scopo e certificati.

2.3) **Importante:** in un sistema anticaduta è obbligatorio utilizzare un'imbracatura completa in quanto unico dispositivo utilizzabile per lo scopo, e tale dispositivo deve essere conforme alle norme vigenti.

## 3 IMMAGAZZINAMENTO E MANUTENZIONE

**3.1)** Immagazzinare i dispositivi in un luogo asciutto (umidità relativa 40-90%), fresco (temperatura 5-30° C) e buio, chimicamente neutro (evitare assolutamente ambienti salini e/o acidi), lontano da spigoli taglienti, sostanze corrosive o altre possibili condizioni pregiudizievoli.

**3.2)** Trasportare il dispositivo considerando le precauzioni previste per l'immagazzinamento e limitare l'esposizione diretta alla luce del sole e all'umidità.

**3.3)** Manuteneere questo dispositivo come segue:

- lavare frequentemente con acqua potabile tiepida (30° C), eventualmente con l'aggiunta di un detergente neutro;

- sciacquare e lasciare asciugare, evitando centrifughe e l'esposizione diretta al sole;

- solo per i componenti metallici, lubrificare le parti mobili con olio a base di silicone dopo l'asciugatura, evitando il contatto con le parti tessili.

**3.4)** Se necessario, disinfettare immergendo il dispositivo per un'ora in acqua tiepida con ipoclorito di sodio diluito al 1% (candeggina). Sciacquare accuratamente con acqua potabile, e, senza centrifugare, lasciare asciugare evitando l'esposizione diretta al sole. Evitare la sterilizzazione in autoclave dei dispositivi tessili.

## 4 CONTROLLI E ISPEZIONI

**4.1)** La sicurezza dell'utilizzatore dipende dalla continua efficienza, integrità e resistenza del dispositivo, che è necessario monitorare attraverso i controlli e le ispezioni prescritte.

**4.2)** Prima e dopo l'uso l'utilizzatore deve effettuare tutti i controlli descritti nelle informazioni specifiche ed in particolare assicurarsi che il dispositivo sia:

- in condizioni ottimali e che funzioni correttamente;

- idoneo all'utilizzo in accordo a queste istruzioni (ogni altro utilizzo è considerato non conforme e quindi potenzialmente pericoloso).

**4.3)** Salvo disposizioni di legge più restrittive, le ispezioni dei dispositivi di III categoria devono essere effettuate:

- almeno ogni 12 mesi a partire dal primo utilizzo;

- l'intervallo di tempo tra le ispezioni può essere ridotto in accordo alla tipologia, alla frequenza e all'ambiente di utilizzo;

- da una persona competente (quindi formata e autorizzata dal fabbricante, es. un "Ispettore DPI KONG") nel severo rispetto delle indicazioni del fabbricante.

**4.4)** Gli esiti delle ispezioni periodiche devono essere registrati sulla scheda di ispezione del dispositivo o su un apposito registro.

## 5 DURATA DEL DISPOSITIVO

**5.1)** La durata di vita dei componenti metallici è indeterminabile, teoricamente illimitata, mentre quelli affetti da invecchiamento riportano la data di scadenza oltre la quale il dispositivo è da sostituire. Questo a condizione che:

- il dispositivo non sia stato utilizzato per arrestare una caduta;
- le modalità di impiego rispettino quanto riportato in queste informazioni;
- l'immagazzinamento e la manutenzione siano effettuati come descritto al punto 3;
- gli esiti di controlli pre-uso e post-uso siano positivi;
- gli esiti delle ispezioni periodiche siano positivi;
- il dispositivo sia utilizzato correttamente non eccedendo il carico marcato di:
  - 1/4 per i dispositivi metallici;
  - 1/10 per i dispositivi tessili.

**5.2)** Scartare i dispositivi utilizzati per arrestare una caduta o che non hanno superato i controlli pre-uso, post-uso o le ispezioni periodiche.

**5.3)** L'uso non conforme, le deformazioni, le cadute, l'usura, la contaminazione chimica, l'esposizione a temperature inferiori a  $-30^{\circ}\text{C}$  o superiori a  $+50^{\circ}\text{C}$  per i componenti/dispositivi tessili/plastici e  $+120^{\circ}\text{C}$  (es. autoclave) per i dispositivi metallici, sono alcuni esempi di altre cause che possono ridurre, limitare e terminare la vita del dispositivo.

## 6 OBBLIGHI DI LEGGE

**6.1)** Le attività professionali, del tempo libero e delle competizioni sono sovente regolate da apposite leggi o regolamenti che possono imporre limiti e/o obblighi all'utilizzo dei DPI e all'approntamento dei sistemi di sicurezza, di cui i DPI sono componenti.

**6.2)** E' obbligo dell'utilizzatore conoscere ed applicare tali leggi che potrebbero prevedere limiti differenti da quanto riportato in queste informazioni.

## 7 GARANZIA

**7.1)** Il fabbricante garantisce la conformità del dispositivo alle norme vigenti al momento della produzione. La garanzia per vizi è limitata ai difetti delle materie prime e di fabbricazione, non comprende la normale usura, l'ossidazione, i danni provocati da uso non conforme e/o in competizioni (in cui non siano specificatamente accettati dagli organizzatori della stessa), da non corretta manutenzione, trasporto, conservazione o immagazzinamento, ecc. La garanzia decade immediatamente nel caso vengano apportate modifiche o manomissioni al dispositivo.

**7.2)** La validità corrisponde alla garanzia legale del Paese in cui è stato venduto il dispositivo, a decorrere dalla data della vendita del prodotto nuovo. Decorso tale termine nessuna pretesa potrà essere avanzata nei confronti del fabbricante.

**7.3)** Qualsiasi richiesta di riparazione o sostituzione in garanzia dovrà essere accompagnata da una prova di acquisto. Se il difetto è riconosciuto, il fabbricante si impegna a riparare o, a sua discrezione, a sostituire o rimborsare il dispositivo. In nessun caso la responsabilità del fabbricante si estende oltre il prezzo di fattura del dispositivo.

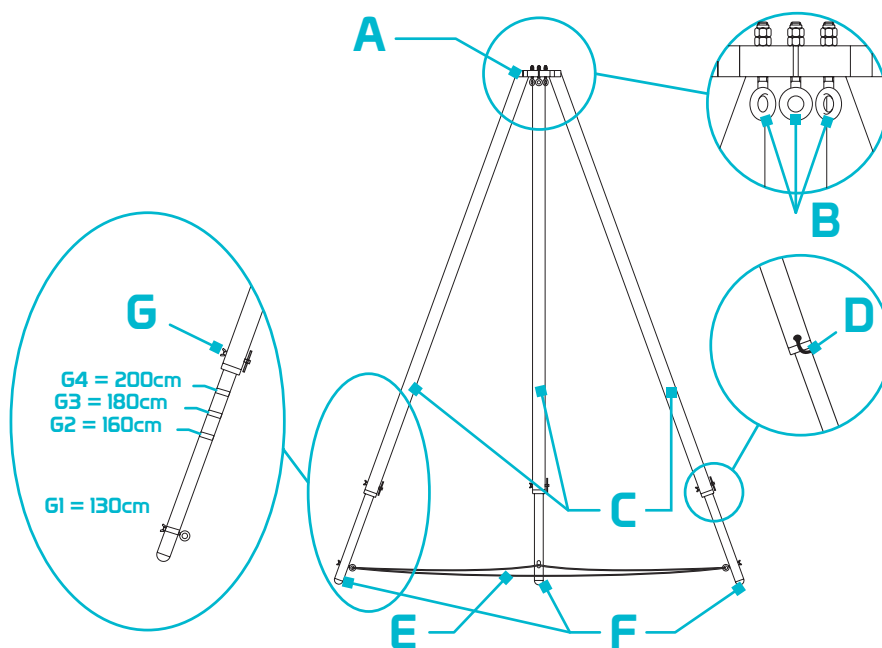
## 8 INFORMAZIONI SPECIFICHE

Il Dispositivo di Protezione Individuale di III Categoria 842.020 "CEVEDALE BASE" (fig. 1) è:  
- un dispositivo di ancoraggio con 3 punti di ancoraggio stazionari che non necessita ancoraggi strutturali o elementi di fissaggio per bloccarlo alla struttura, adatto per essere utilizzato contemporaneamente da 3 persone;  
- parte di un sistema di protezione dall'impatto derivante da cadute dall'alto;  
- certificato in accordo allo standard EN 795:2012 tipo B e alla specifica tecnica CEN/TS 16415:2013.

### Fig. 1 – Terminologia delle parti

- A) Piastra di vertice in lega di alluminio;
- B) Punti di ancoraggio in acciaio inossidabile;
- C) Gambe estensibili in lega di alluminio;
- D) Perno di collegamento delle gambe in acciaio zincato;
- E) Cavo limitatore di apertura delle gambe in acciaio zincato;
- F) Piedi d'appoggio antiscivolo in gomma;
- G) Fori di regolazione dell'altezza sul tubo esterno (G) e sul tubo interno (G1-G4).

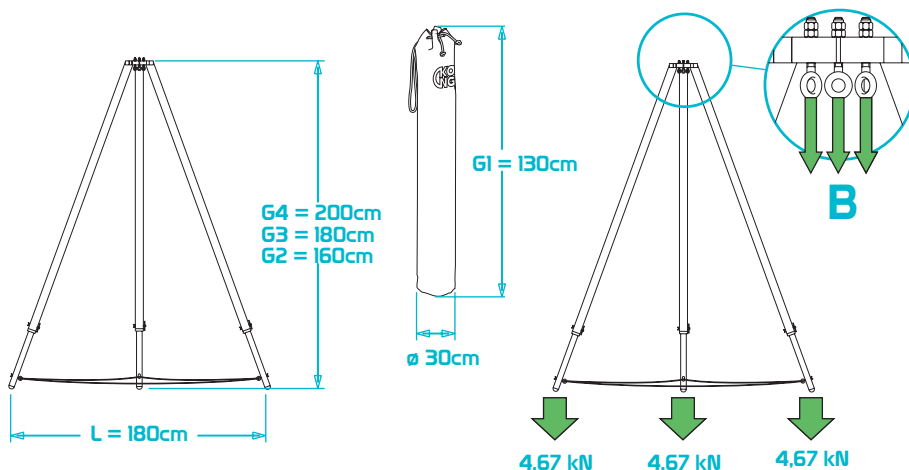
1



**Fig. 2 – Caratteristiche tecniche principali**

- Massimo carico trasmesso al suolo: 14 kN (4,67 kN per ogni gamba);
- Massimo carico applicabile al singolo punto di ancoraggio (B): 12 kN;
- Massimo carico applicabile contemporaneamente ai punti di ancoraggio (B): 14 kN;
- Peso del dispositivo: 16 kg.

2

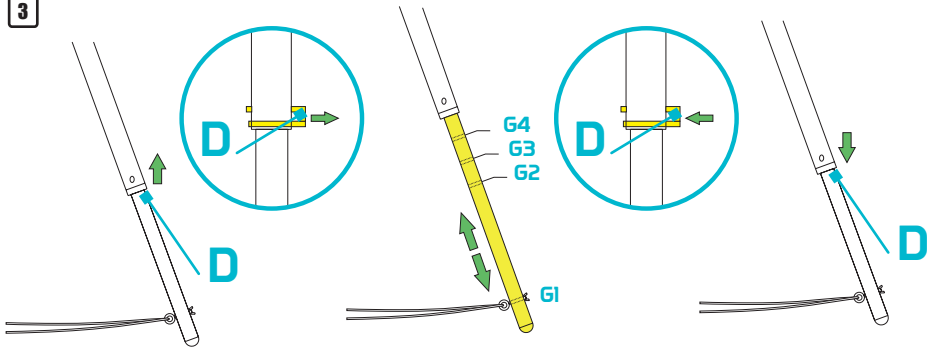


**Fig. 3 – Regolazione dell'altezza – Per ogni gamba estensibile (C):**

Per ogni gamba estensibile (C):

- ruotare ed estrarre il perno di collegamento (D) dai fori (G),
- sfilare il tubo interno fino al foro che determina l'altezza di lavoro scelta,
- allineare il foro del tubo interno (G1, G2, G3 o G4) a quello del tubo esterno (G),
- inserire nei fori (G) il perno di collegamento (D) e ruotarlo bloccandolo sul tubo interno.

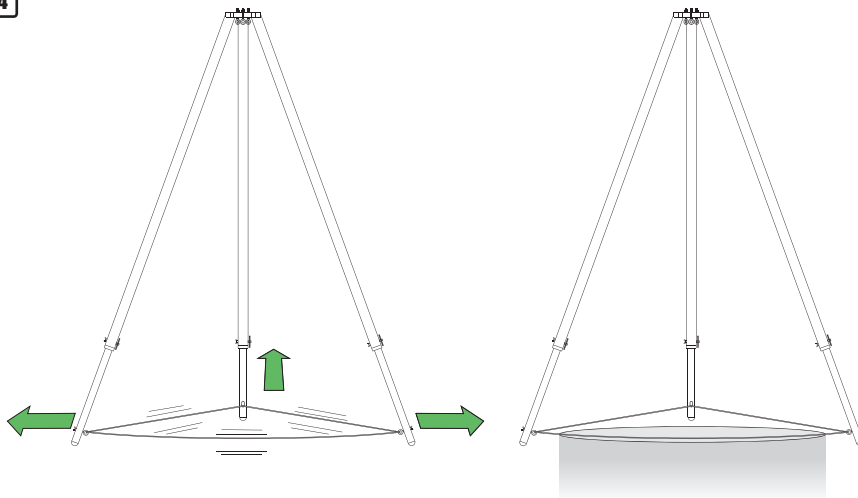
**3**



**Fig. 4 – Posizionamento del dispositivo – Dopo aver regolato l'altezza come descritto in fig. 3:**

- mettere il tripode in posizione verticale e distanziare le gambe (C) verso l'esterno fino a tendere il cavo (E),
- posizionare il tripode in modo che la piastra di vertice si trovi al centro del passaggio (pozzetto, passo d'uomo).

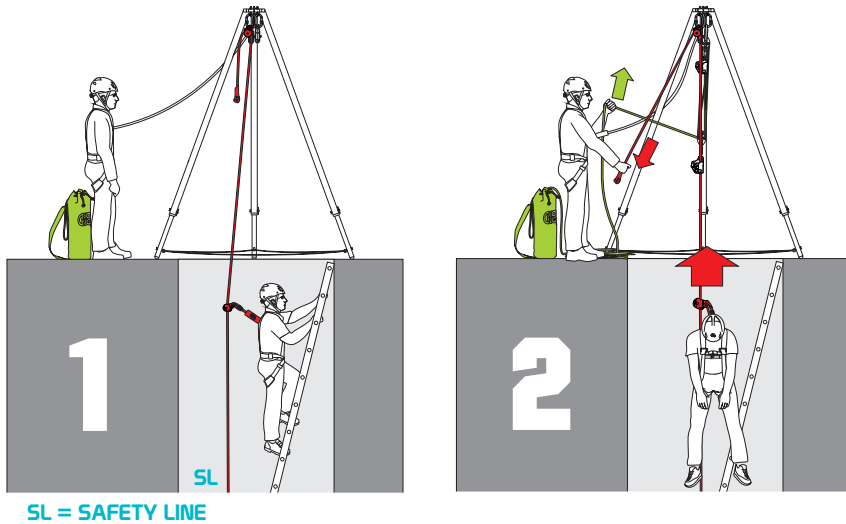
**4**





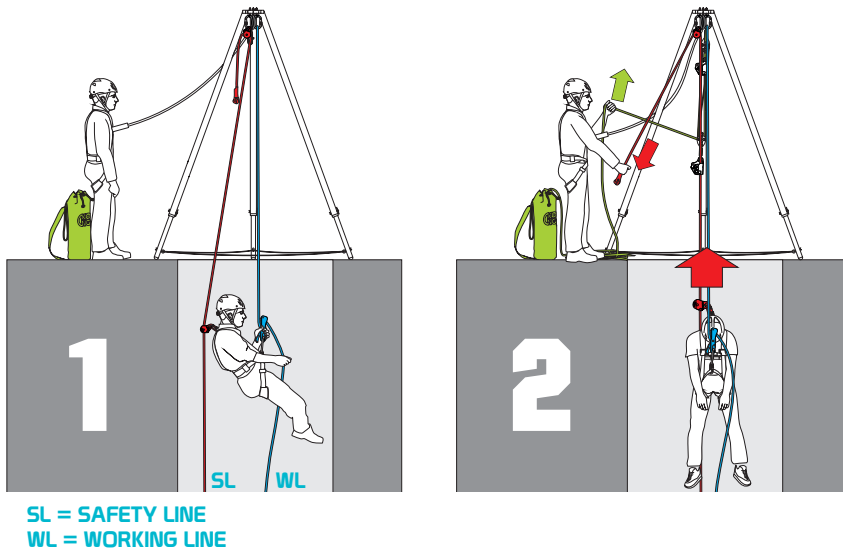
**Fig. 5 – Esempio di corretto utilizzo - Accesso in ambiente confinato attrezzato con scala e della relativa evacuazione dell'operatore.**

5



**Fig. 6 – Esempio di corretto utilizzo - Accesso in ambiente confinato mediante linea di lavoro e della relativa evacuazione dell'operatore.**

6



**Importante:**

- le 3 gambe (C) devono essere regolate alla stessa altezza,
- le regolazioni devono essere effettuate su una superficie piana,
- ai punti di ancoraggio (B) è possibile collegare, anche contemporaneamente:
  - linee di ancoraggio flessibile,
  - linee di sicurezza,
  - linee di lavoro,
  - linee di evacuazione/emergenza,
  - dispositivi e/o sistemi di trattenuta,
  - dispositivi e/o sistemi di posizionamento,
  - dispositivi e/o sistemi anticaduta.

**ATTENZIONE:**

- **questo dispositivo non deve essere utilizzato per arrestare la caduta senza un sistema anticaduta e di dissipazione d'energia;**
- **la superficie di appoggio del dispositivo deve essere piana, stabile e resistente al massimo carico trasmesso al suolo.**

## 9 CONTROLLI PRE E POST USO





Prima e dopo l'uso assicurarsi che il dispositivo sia in condizioni efficienti e funzioni correttamente, in particolare controllare che:

- l'usura sia solo estetica,
- non abbia subito deformazioni meccaniche,
- non presenti segni di cricche o tracce di corrosione,
- i punti di ancoraggio (B) e di passaggio della corda siano puliti,
- i perni di collegamento (D) siano inseriti correttamente nelle relative gambe (C).

Effettuare tutti i controlli pre e post uso definiti sulle informazioni specifiche dei dispositivi utilizzati in abbinamento.

Prima dell'utilizzo ed in una posizione completamente sicura, in ogni occasione assicurarsi che i dispositivi funzionino correttamente.

| LLLLLL XXXX – NUMERO DI SERIE |                     |
|-------------------------------|---------------------|
| LLLLLL                        | Lotto di produzione |
| XXXX                          | Numero progressivo  |

| LEGENDA DI MARCATURA   |  |
|--|--|
|                     | Conformità al Regolamento 2016/425   |
| <b>0068</b>  | Ente notificato alla sorveglianza di produzione:<br><b>MTIC InterCert S.r.l.</b><br>Via G.Leopardi, 14 20123 - Milano (MI) - Italy                         |
| <b>EN 795/B:12</b>   | Conformità alla EN 795:2012 Type B<br>Dispositivo di ancoraggio con uno o più punti di ancoraggio stazionari, senza la necessità di ancoraggio strutturale |
|  <b>MAX 3</b>       | Numero massimo di utilizzatori simultanei  |
|                     | Leggere sempre e seguire le informazioni fornite dal fabbricante   |
| <br><b>MM/YYYY</b> | Mese (MM) e anno (YYYY) di produzione  |

## TRIPODE - DISPOSITIVO DI ANCORAGGIO

Riferimento: **842.020**

Modello: **CEVEDALE BASE**

Numero di serie:

Data primo utilizzo:

### Ispezioni e Revisioni

| Data | I/S | Descrizione | Esito | Responsabile |
|------|-----|-------------|-------|--------------|
|      |     |             |       |              |
|      |     |             |       |              |
|      |     |             |       |              |
|      |     |             |       |              |
|      |     |             |       |              |
|      |     |             |       |              |
|      |     |             |       |              |
|      |     |             |       |              |