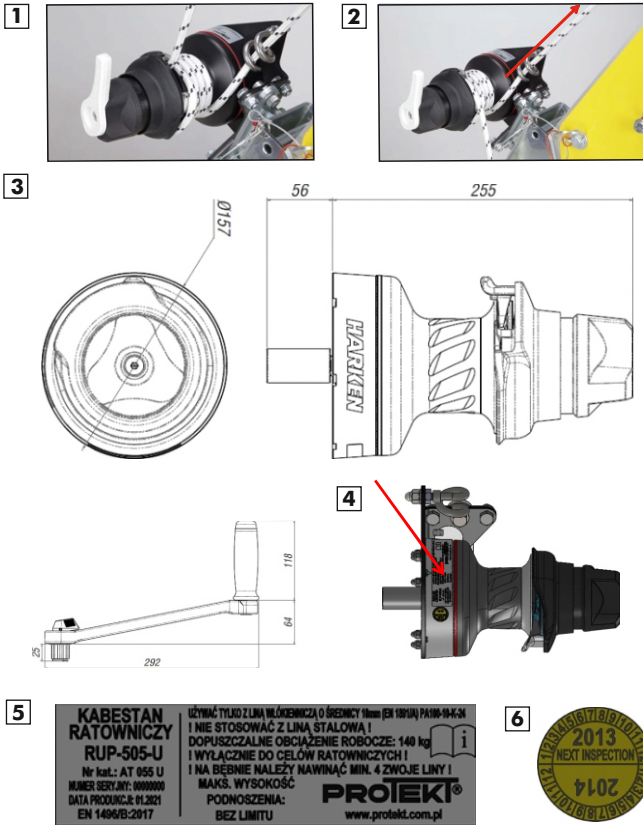




Universal rescue capstan

RUP505-U

Machine Directive 2006/42/WE
EN 1496:2017/B



EN - NOTE: Before use of this equipment carefully read this instruction manual.

Figure 1 - Overview

GENERAL DESCRIPTION

Universal rescue capstan RUP505-U can be used as a component of rescue equipment. With use of the device a victim can be ascended from a lower onto a higher level or descended from a higher to a lower level. The descending distance cannot exceed 2m.

Capstan can be used for personnel rescue with use of an additional WR / CR / CRW retractable type fall arrester.

TECHNICAL DATA

Working Load Limit (WLL): 140kg (rescue) 500kN (materials)
Power ratio: Direction 1: 13.5:15, Direction 2: 3:1 :
Gear ratio: Direction 1: 2.13:1, Direction 2: 6.28:1
Lever length: ~300mm
Rope diameter: 10mm
Rope type: PA100-10-K-24
Maximum lifting height: Unlimited
Weight (without rope): 8.40kg

Universal rescue capstan RUP505-U comprises:

- Harken Lokhead capstan which can be used to wind and unwind polyamide work rope of 10mm in diameter. The device is fitted with connecting assembly (adaptor RUP505-300 and plate RUP505-008) and connector UTB (AT017-330). Capstan is equipped with automatic brake and mechanism for safe unwinding of work rope.
- Polyamide rope, static (rope sold separately) of 10mm in diameter compliant with EN 1891/A (e.g. rope PA100-10-K-24).
Capstan RUP505-U can be mounted to various devices using universal brackets. Please refer to Table 1.

1. LOAD LIMIT AND STRENGTH

a) GENERAL INFORMATION

Minimum Breaking Strength (MBS): 15kN.

The device can be loaded with work force along the profile to which it is fixed as shown in Figure 2. Maximum load that could be transmitted in service from the device to a permanent structure – 6 kN. If the device is used as a part of fall arrest system, the user must be equipped with an element limiting maximum dynamic forces applied on user while arresting a fall to max. 6kN.

a) LIFTING MATERIALS Working Load Limit (WLL): 500kg Safety Factor (SF): 3:1.

Available work rope length: unlimited

c) RESCUE WINCH (PPE)

Working Load Limit (WLL): 140kg

Safety Factor (SF): 10:1.

Available work rope length: unlimited.

Figure 2 – Permissible load direction

2. TRANSPORT AND WEIGHT

Weight of complete device (without rope): 8.40kg.

Personal fall protection equipment must be transported in a package (e.g.: bag made of moisture-proof textile or foil bag or cases made of steel or plastic) to protect it against damage or moisture.

3. MAINTENANCE AND STORAGE

The device should be cleaned without causing adverse effect on the materials used in the manufacture of the device. For textile materials (webbings, ropes) use agents suitable for delicate fabrics. Can be washed in hands or in a washing machine. Rinse thoroughly. Wash textile elements with water only. When the equipment becomes wet, either from being in use or after cleaning, allow it to dry naturally, and keep it away from sources of heat. In metallic products slightly lubricate some mechanical parts (springs, hinges, pawls, etc.) on a regular basis to improve their operation. The device should be stored loosely packed in well-ventilated rooms, protected from direct light, UV degradation, dust, sharp edges, extreme temperatures and aggressive chemical substances.

4. TIME OF USAGE

Maximum time of usage of correctly operating devices is unlimited.

The device must be withdrawn from use immediately and destroyed if it has been used to arrest a fall or there are any doubts concerning its function.

NOTE: Maximum time of usage of the device depends on intensity and environment of use. If the device is used in heavy conditions, being exposed to frequent contact with water, sharp edges, corrosive substances, extreme of temperatures, it may be necessary to withdraw the device after only one use.

5. PERIODIC INSPECTIONS

At least once a year, after every 12 months of use, it is necessary to carry out periodic detailed inspection of the device. Periodic inspection can be carried out by a properly qualified and skilled person. After 5 years of use, it is recommended that periodic inspections are carried out by manufacturer of the equipment or an entity authorised by the manufacturer to carry out such inspections.

6. POSSIBLE INSTALLATION OF WINCH RUP505-U

DEVICE - UNIVERSAL BRACKET

TRIPOD TM1 / TM6 / TM6-T / TM9 / TM9-T / TM9 / TM9-W / TM12 / TM12-2 / TM13 / TM13-T / TM14 / Tm15 - UTB (AT017-300)

CRANE PAD/LAD - PAD-LAD-UB (PAD100-301-000)

CRANE PSD - PSD-UB (PSD100-131-000)

7. GENERAL DIMENSIONS

Figure 3 – Overall dimensions of device

8. MARKING

Marking:

- Name/ type of device.
- Device model designation.
- Reference number.
- Number/year/class of European standard.
- CE mark and number of notified body supervising production of the equipment.
- Month and year of manufacture.
- Serial number of device.
- Attention: read instruction manual.
- Mark of manufacturer or distributor of device.
- Maximum number of simultaneous users

Figure 4 – Location of markings

Figure 5 – Identity label of device

Figure 6 – "Next inspection" sticker

"Next inspection" sticker should be affixed near identity label and it is necessary to mark month and year of the next periodic inspection. Do not use the device after this date.

Attention: Before the first use, mark the date of next inspection (date of first use + 12 months, e.g. first use 01.2013 – mark 01.2014). "Next inspection" sticker affixed near identity label.

9. INSTALLING RUP505-U

a) Install the capstan in socket of the universal tripod bracket and secure with automatic pin.



10. INSTALLING CRANK

To install crank unlock the locking gear and fit splines into socket.



11. INSTALLING WORK ROPE

Use only static polyamide rope of 10mm in diameter compliant with EN 1891/A.

ROPE TYPE: PA100-10-L-24

DO NOT USE STEEL CABLE!

Rope of adequate length to be ordered separately

Ref. no.: RUP505-400-xx where "xx" – length in m



a) Put the rope through "pigtail".

b) Wind minimum 4 rope windings onto reel.



